

OPTO 22

RACKS
CLASSIC
STANDARD

DATA SHEET

page 1/3

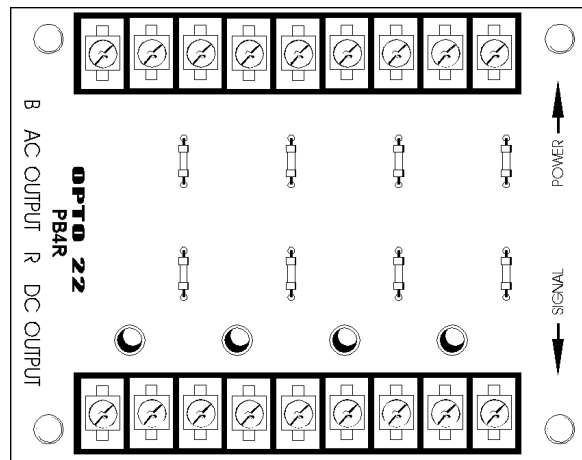
Form 509-010131

Part Number	Description
PB4R	4-Channel Output Module Rack, Isolated

Description

The PB4R output mounting rack is designed for use with Opto 22 standard (Generation 1) single channel **output modules only**, and features isolation between channels. Channel-to-channel isolation is accomplished by not having any common connections between channels on either the logic side or the field side of the mounting rack. This rack is also for use in applications that require barrier strips on both the field and logic sides. The PB4R output mounting rack is compatible with positive-true logic and negative-true logic computer I/O ports and can be used with 5-volt, 15-volt, and 24-volt logic.

The PB4R is often used to interface different families of logic. 24-volt positive-true logic from a programmable controller can be connected to 5-volt negative-true PC logic using this mounting rack.



Note: The PB4R has only 4-pin connections, NOT 5-pin.

DATA SHEET

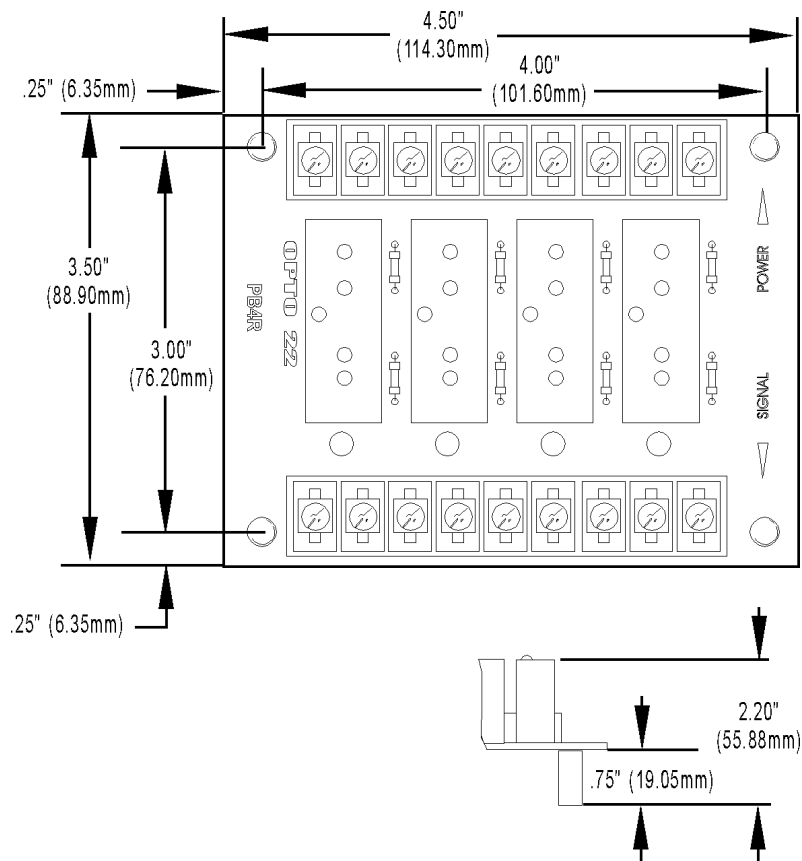
Form 509-010131

Specifications

PB4R Specifications

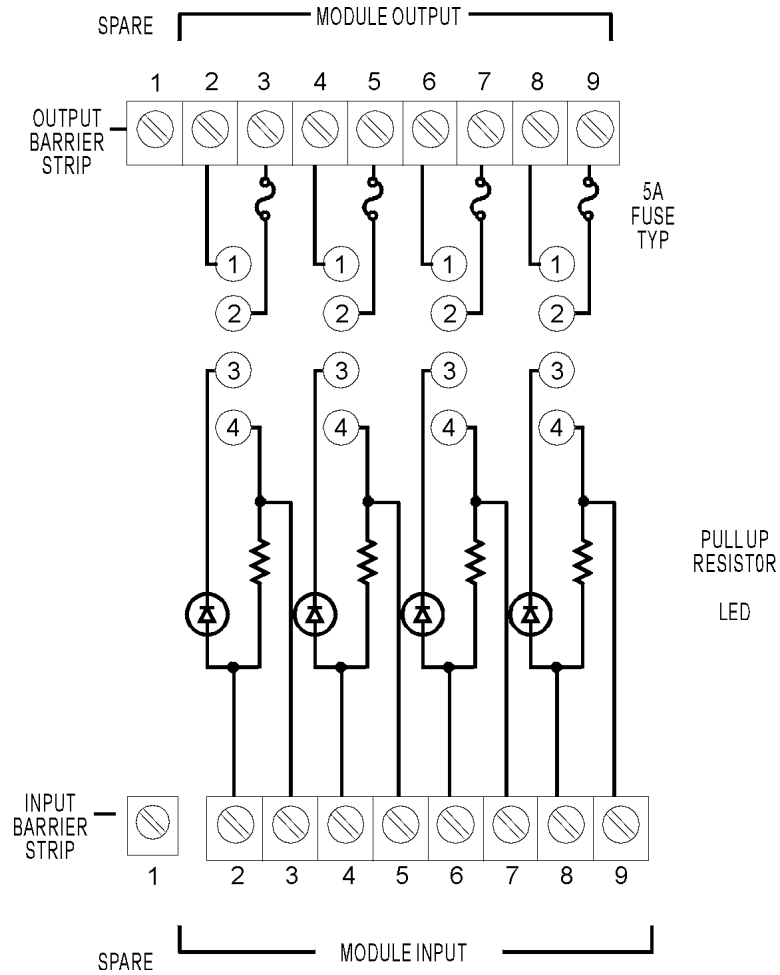
Operating Temperature	0° to 70° C 95% Relative Humidity Non-condensing
Interface Connectors Field	6-32 Screw Terminals
Interface Connectors Logic	6-32 Screw Terminals
Compatible I/O Module Family	Standard (Generation 1)

Dimensions



Note: The PB4R has only 4-pin connections, NOT 5-pin.

Schematics



Note: The ODC5R module will NOT plug into this rack.